

**TRILUX**  
SIMPLIFY YOUR LIGHT.

EMERGENCY  
LIGHTING RANGE



## Bulkheads



04  
EBP Surface

## Exit Signs



06  
ESP Mini Recessed  
Circular Cutout



07  
ESP Recessed  
Circular Cutout



08  
ESP Recessed



09  
ESP Recessed  
Suspended



10  
ESP Surface



11  
ESP Surface  
Suspended



12  
ESP Wall



13  
ESP Wall Arm



14  
ESC Recessed



15  
ESC Surface



16  
ESC Suspended



17  
ESC Wall

## Route



18  
ERP Wall Recessed



20  
ERP Surface Linear



22  
ERP Recessed



24  
ERP Surface Round



26  
ERP Surface Square



28  
ERC Recessed



30  
ERC Surface

## Twin Head



32  
EHC Twin Head

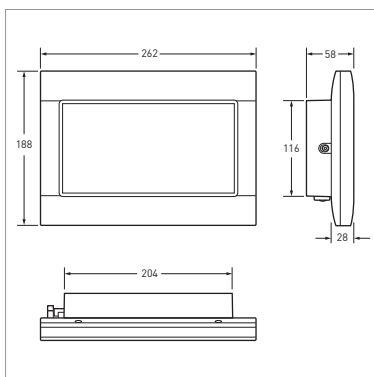
## Track



33  
ETP Track Mounted

# PRODUCT FEATURES

		IP Rating	Maintained/ non-maintained	3 Hr Self Contained	Central Battery	DALI Self Test	Viewing Distance
Bulkheads	EBP Surface	IP65	✓	✓	✓		n/a
Exit Signs	ESP Mini Recessed Circular Cutout	IP20	✓	✓	✓		15m
	ESP Recessed Circular Cutout	IP20	✓	✓	✓		22m
	ESP Recessed	IP20	✓	✓	✓		22m
	ESP Recessed Suspended	IP20	✓	✓	✓		22m
	ESP Surface	IP40	✓	✓	✓		22m
	ESP Surface Suspended	IP40	✓	✓	✓		22m
	ESP Wall	IP40	✓	✓	✓		22m
	ESP Wall Arm	IP40	✓	✓	✓		22m
	ESC Recessed	IP40	✓	✓		✓	22m
	ESC Surface	IP41	✓	✓		✓	22m
	ESC Suspended	IP41	✓	✓		✓	30m
	ESC Wall	IP40	✓	✓		✓	30m
	Route	ERP Wall Recessed Route	IP65	✓	✓		
ERP Surface Linear Route		IP54	✓	✓			n/a
ERP Recessed		IP54	✓	✓		✓	n/a
ERP Surface Round		IP20	✓	✓		✓	n/a
ERP Surface Square		IP20	✓	✓		✓	n/a
ERC Recessed		IP20	✓	✓		✓	n/a
ERC Surface		IP20	✓	✓		✓	n/a
Twin Head	EHC Twin Head	IP65	✓	✓		✓	n/a
Track	ETP Track Mounted	IP20	✓	✓		✓	n/a



## Offer text

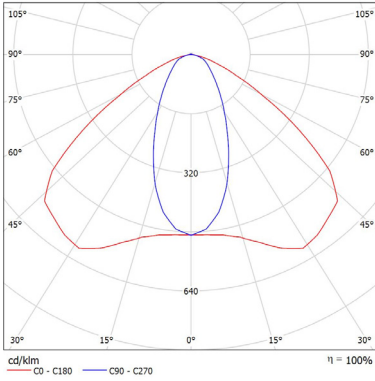
Robust ceiling-mounted Zinc die-cast luminaire for the lighting of escape and rescue routes according to DIN EN 60598-1, DIN EN 605982-22 and EN 1838. Available for central power systems or as self-contained LED emergency. Material: Zinc die-cast. Colour: RAL 9003. Design with concealed screws. Dimensions: 58 mm x 262 mm x 188 mm. Surface mounted.

Protection class: 1. Protection rating IP65. Allowed temperature EB3: -5 to 40 °C, CBU -25 to 40 °C.

## Product features and key data

Luminaire type	Emergency bulkhead
Mounting method	Ceiling mounted
Luminaire colour	RAL 9003 White
Light sources	LED
Optic	-
Rated luminous flux	520 lm
Operation	Self contained, central battery
Emergency duration	3 hour (self contained)
Supply	Maintained / non-maintained
Power	4.6W self contained, 4.5W central battery
Testing	Charge indicator / key switch
Battery	4.8V/2.0Ah NiMH self contained
Ingress Protection (IP) rating	IP65
Protection class	I
Legend	-
Viewing distance	-
Hot wire resistance	850 °C
Ambient temperature	-5 to +40 °C self contained, -25 to +40 °C central battery
Net depth	58 mm
Net width	262 mm
Net height	188 mm
Weight	2.11 kg self contained, 1.96 kg central battery

# EBP SURFACE



Glare Evaluation According to UGR												
μ Ceiling		70	70	50	50	30	70	70	50	50	30	30
μ Walls		50	30	50	30	30	50	30	50	30	50	30
μ Floor		30	20	20	20	20	30	20	30	20	30	20
Room Size		Viewing direction at right angles to lamp axis					Viewing direction parallel to lamp axis					
X	Y											
2H	2H	24.1	23.3	24.4	25.5	25.7	14.6	15.8	14.9	16.0	16.2	16.2
	3H	24.6	25.6	24.9	25.9	26.2	16.1	17.2	16.5	17.5	17.8	18.2
	4H	24.6	25.7	25.0	25.9	26.2	16.6	17.6	16.9	17.9	18.2	18.2
	6H	24.6	25.6	25.0	25.9	26.2	16.0	17.0	17.2	18.1	18.4	18.4
	8H	24.6	25.5	25.0	25.8	26.1	16.9	17.8	17.2	18.1	18.4	18.4
4H	12H	24.6	25.4	24.9	25.8	26.1	16.9	17.7	17.2	18.0	18.4	18.4
	2H	24.0	25.0	24.3	25.3	25.5	16.0	17.0	16.4	17.3	17.6	17.6
	3H	24.6	25.4	25.0	25.8	26.1	17.6	18.4	18.0	18.8	19.1	19.1
	4H	24.7	25.3	25.1	25.8	26.2	18.1	18.8	18.5	19.2	19.6	19.6
	6H	24.8	25.4	25.2	25.8	26.2	18.3	19.0	18.8	19.4	19.8	19.8
8H	8H	24.7	25.3	25.2	25.7	26.2	18.4	19.0	18.8	19.4	19.8	19.8
	12H	24.7	25.2	25.2	25.7	26.1	18.4	18.9	18.9	19.4	19.8	19.8
	4H	24.7	25.3	25.1	25.7	26.1	18.4	19.0	18.9	19.4	19.8	19.8
	6H	24.7	25.2	25.2	25.6	26.1	18.8	19.2	19.2	19.7	20.1	20.1
	8H	24.7	25.1	25.2	25.6	26.1	18.8	19.2	19.3	19.7	20.2	20.2
12H	4H	24.7	25.2	25.1	25.6	26.0	18.3	18.9	18.9	19.4	19.8	19.8
	6H	24.7	25.1	25.2	25.6	26.1	18.8	19.2	19.3	19.7	20.1	20.1
	8H	24.7	25.1	25.2	25.5	26.0	18.9	19.2	19.4	19.7	20.2	20.2
Variation of the observer position for the luminare distances S												
S = 1.0H		+0.5	-0.5			+0.5	-0.6					
S = 1.5H		+2.0	-2.0			+0.9	-1.2					
S = 2.0H		+3.6	-3.6			+2.2	-1.9					
Standard table		BK01					BK04					
Correction		9.3					4.4					
Summand												
Corrected Glare Indices referring to 530lm Total Luminous Flux												

## Spacing table

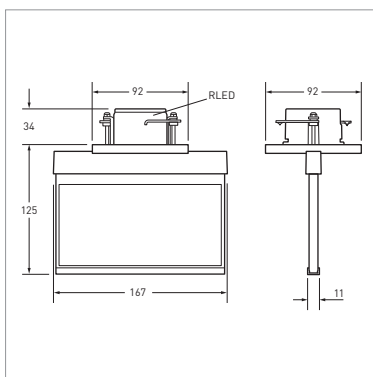
Mounting Height (m)					
2.00	4.29	9.63	8.77	6.96	2.86
2.50	4.91	11.50	10.47	8.15	3.20
3.00	5.41	12.74	11.61	8.64	3.33
3.50	5.82	13.99	12.61	9.09	3.50
4.00	6.40	15.13	13.55	9.45	3.60
5.00	7.14	17.12	15.28	10.10	3.76
6.00	7.96	19.04	16.72	10.62	3.90
7.00	8.34	20.68	17.90	11.00	3.88
8.00	8.88	22.10	18.84	11.24	3.90
9.00	9.00	23.34	19.29	11.40	3.81
10.50	8.49	24.87	19.35	11.40	4.42
12.00	7.80	25.47	18.75	11.16	3.00

The distance table is based on the following parameters: Maintenance factor: 0.8; emergency lighting factor 1.00; Minimum illumination on the center line: 1.00 lux; Minimum illumination on the half width of the rescue route: 0.50 lux, uniformity on the midline maximum 40.1; Width of the rescue route 2.00m

## Order number

TK Number	Description
10239657	EBP Surface 3 hr Self Contained (EB3)
10239658	EBP Surface Central Battery (CBU)

# ESP MINI RECESSED CIRCULAR CUTOUT



## Offer text

Zinc die-cast edge luminaire according to DIN EN60598-1, DIN EN 60598-2-22 and DIN EN 1838. Recessed ceiling mounting in 68mm cut-out.

Mechanically robust and corrosion-resistant, powder-coated surface, precise edges and straight lines, no weld seam and bending edge, solvent free attachment of the pictogram, window pane with polished edges and continuous but invisible pictogram holder. Applicable for maintained or non-maintained operation mode. Toolless change and variable use of the pictograms provide planning security onsite.

Material: Zinc die-cast. Colour: RAL 7016. Dimensions: 92 mm x 167 mm x 159 mm. Mounting method: recessed. Protection class: 2. Protection rating IP20. Allowed temperature EB3: -5 to 40 °C, CBU -25 to 40 °C. Viewing distance: 15 m. Pictogram: 4-piece set included.

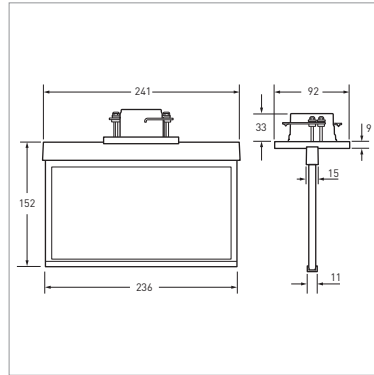
## Product features and key data

Luminaire type	Emergency exit sign
Mounting method	Ceiling recessed
Luminaire colour	RAL 7016 Grey
Light sources	LED
Optic	-
Rated luminous flux	165 lm
Operation	Self contained, central battery
Emergency duration	3 hour (self contained)
Supply	Maintained / non-maintained
Power	3.7W self contained, 2.3W central battery
Testing	Charge indicator / key switch
Battery	4.8V/2.0Ah NiMH self contained
Ingress Protection (IP) rating	IP20
Protection class	II
Legend	ISO 7010 4-part pictogram kit included
Viewing distance	15m
Hot wire resistance	850 °C
Ambient temperature	-5 to +40 °C self contained, -25 to +40 °C central battery
Net depth	92 mm
Net width	167 mm
Net height	159 mm
Weight	0.19 kg self contained, 0.04 kg central battery

## Order number

TK Number	Description
10239659	ESP Mini Recessed Circular cut-out 3 hr Self Contained (EB3)
10239660	ESP Mini Recessed Circular cut-out Central Battery (CBU)

# ESP RECESSED CIRCULAR CUTOUT



## Offer text

Zinc die-cast edge luminaire according to DIN EN60598-1, DIN EN 60598-2-22 and DIN EN 1838. Recessed ceiling mounting in 68mm cut-out.

Mechanically robust and corrosion-resistant, powder-coated surface, precise edges and straight lines, no weld seam and bending edge, solvent free attachment of the pictogram, window pane with polished edges and continuous but invisible pictogram holder. Applicable for maintained or non-maintained operation mode. Toolless change and variable use of the pictograms provide planning security on site.

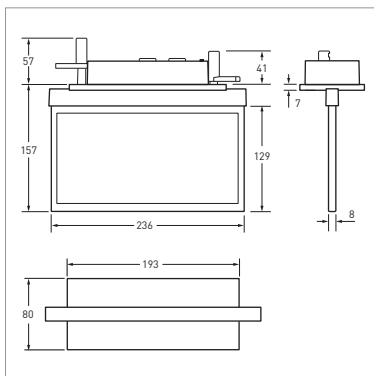
Material: Zinc die-cast. Colour: RAL 7016. Dimensions: 80 mm x 236 mm x 214 mm. Mounting method: recessed. Protection class: 2. Protection rating IP20. Allowed temperature EB3: -5 to 40 °C, CBU -25 to 40 °C. Viewing distance: 22 m. Pictogram: 4-piece set included.

## Product features and key data

Luminaire type	Emergency exit sign
Mounting method	Ceiling recessed
Luminaire colour	RAL 7016 Grey
Light sources	LED
Optic	-
Rated luminous flux	165 lm
Operation	Self contained, central battery
Emergency duration	3 hour [self contained]
Supply	Maintained / non-maintained
Power	4.7W self contained, 2.4W central battery
Testing	Charge indicator / key switch
Battery	4.8V/2.0Ah NiMH self contained
Ingress Protection (IP) rating	IP20
Protection class	II
Legend	ISO 7010 4-part pictogram kit included
Viewing distance	22m
Hot wire resistance	850 °C
Ambient temperature	-5 to +40 °C self contained, -25 to +40 °C central battery
Net depth	80 mm
Net width	236 mm
Net height	214 mm
Weight	1.24 kg self contained, 1.09 kg central battery

## Order number

TK Number	Description
10239661	ESP Recessed Circular cut-out 3 hr Self Contained [EB3]
10239662	ESP Recessed Circular cut-out Central Battery (CBU)



## Offer text

Zinc die-cast edge luminaire according to DIN EN60598-1, DIN EN 60598-2-22 and DIN EN 1838. Recessed ceiling mounting. Mechanically robust and corrosion-resistant, powder-coated surface, precise edges and straight lines, no weld seam and bending edge, solvent free attachment of the pictogram, window pane with polished edges and continuous but invisible pictogram holder. Applicable for maintained or non-maintained operation mode. Toolless change and variable use of the pictograms provide planning security on site.

Material: Zinc die-cast. Colour: RAL 7016. Dimensions: 80 mm x 236 mm x 214 mm. Mounting method: recessed. Protection class: 2. Protection rating IP20. Allowed temperature EB3: -5 to 40 °C, CBU -25 to 40 °C. Viewing distance: 22 m. Pictogram: 4-piece set included.

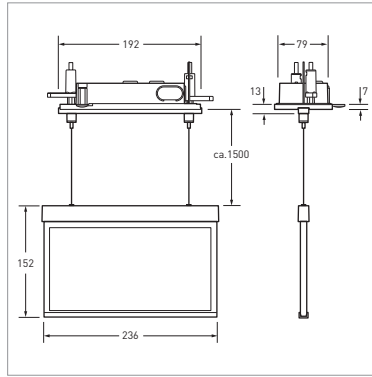
## Product features and key data

Luminaire type	Emergency exit sign
Mounting method	Ceiling recessed
Luminaire colour	RAL 7016 Grey
Light sources	LED
Optic	-
Rated luminous flux	165 lm
Operation	Self contained, central battery
Emergency duration	3 hour (self contained)
Supply	Maintained / non-maintained
Power	4.7W self contained, 2.4W central battery
Testing	Charge indicator / key switch
Battery	4.8V/2.0Ah NiMH self contained
Ingress Protection (IP) rating	IP20
Protection class	II
Legend	ISO 7010 4-part pictogram kit included
Viewing distance	22m
Hot wire resistance	850 °C
Ambient temperature	-5 to +40 °C self contained, -25 to +40 °C central battery
Net depth	80 mm
Net width	236 mm
Net height	214 mm
Weight	1.22 kg self contained, 1.07 kg central battery

## Order number

TK Number	Description
10239663	ESP Recessed 3 hr Self Contained (EB3)
10239664	ESP Recessed Central Battery (CBU)





## Offer text

Zinc die-cast edge luminaire according to DIN EN60598-1, DIN EN 60598-2-22 and DIN EN 1838. Recessed suspended ceiling mounting.

Mechanically robust and corrosion-resistant, powder-coated surface, precise edges and straight lines, no weld seam and bending edge, solvent free attachment of the pictogram, window pane with polished edges and continuous but invisible pictogram holder. Applicable for maintained or non-maintained operation mode. Toolless change and variable use of the pictograms provide planning security on site.

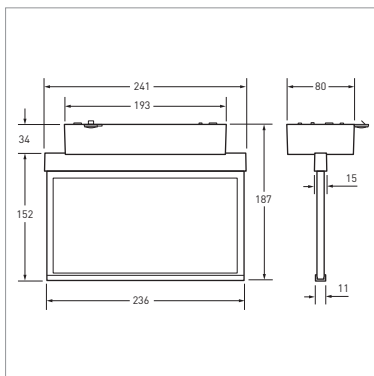
Material: Zinc die-cast. Colour: RAL 7016. Dimensions: 80 mm x 236 mm x 1652 mm. Mounting method: recessed. Protection class: 2. Protection rating IP20. Allowed temperature EB3: -5 to 40 °C, CBU -25 to 40 °C. Viewing distance: 22 m. Pictogram: 4-piece set included.

## Product features and key data

Luminaire type	Emergency exit sign
Mounting method	Ceiling recessed
Luminaire colour	RAL 7016 Grey
Light sources	LED
Optic	-
Rated luminous flux	165 lm
Operation	Self contained, central battery
Emergency duration	3 hour [self contained]
Supply	Maintained / non-maintained
Power	4.7W self contained, 2.4W central battery
Testing	Charge indicator / key switch
Battery	4.8V/2.0Ah NiMH self contained
Ingress Protection (IP) rating	IP20
Protection class	II
Legend	ISO 7010 4-part pictogram kit included
Viewing distance	22m
Hot wire resistance	850 °C
Ambient temperature	-5 to +40 °C self contained, -25 to +40 °C central battery
Net depth	80 mm
Net width	236 mm
Net height	1652 mm
Weight	1.58 kg self contained, 1.43 kg central battery

## Order number

TK Number	Description
10239665	ESP Recessed Suspended 3 hr Self Contained (EB3)
10239666	ESP Recessed Suspended Central Battery (CBU)



## Offer text

Zinc die-cast edge luminaire according to DIN EN60598-1, DIN EN 60598-2-22 and DIN EN 1838. Surface ceiling mounting. Mechanically robust and corrosion-resistant, powder-coated surface, precise edges and straight lines, no weld seam and bending edge, solvent free attachment of the pictogram, window pane with polished edges and continuous but invisible pictogram holder. Applicable for maintained or non-maintained operation mode. Toolless change and variable use of the pictograms provide planning security on site.

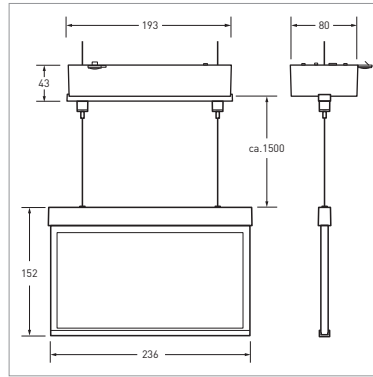
Material: Zinc die-cast. Colour: RAL 7016. Dimensions: 80 mm x 236 mm x 214 mm. Mounting method: surface. Protection class: 2. Protection rating IP40. Allowed temperature EB3: -5 to +40 °C, CBU -25 to +40 °C. Viewing distance: 22 m. Pictogram: 4-piece set included.

## Product features and key data

Luminaire type	Emergency exit sign
Mounting method	Ceiling surface
Luminaire colour	RAL 7016 Grey
Light sources	LED
Optic	-
Rated luminous flux	165 lm
Operation	Self contained, central battery
Emergency duration	3 hour (self contained)
Supply	Maintained / non-maintained
Power	4.7W self contained, 2.4W central battery
Testing	Charge indicator / key switch
Battery	4.8V/2.0Ah NiMH self contained
Ingress Protection (IP) rating	IP40
Protection class	II
Legend	ISO 7010 4-part pictogram kit included
Viewing distance	22m
Hot wire resistance	850 °C
Ambient temperature	-5 to +40 °C self contained, -25 to +40 °C central battery
Net depth	80 mm
Net width	236 mm
Net height	214 mm
Weight	1.23 kg self contained, 1.08 kg central battery

## Order number

TK Number	Description
10239667	ESP Surface 3 hr Self Contained (EB3)
10239668	ESP Surface Central Battery (CBU)



## Offer text

Zinc die-cast edge luminaire according to DIN EN60598-1, DIN EN 60598-2-22 and DIN EN 1838. Surface suspended ceiling mounting.

Mechanically robust and corrosion-resistant, powder-coated surface, precise edges and straight lines, no weld seam and bending edge, solvent free attachment of the pictogram, window pane with polished edges and continuous but invisible pictogram holder. Applicable for maintained or non-maintained operation mode. Toolless change and variable use of the pictograms provide planning security on site.

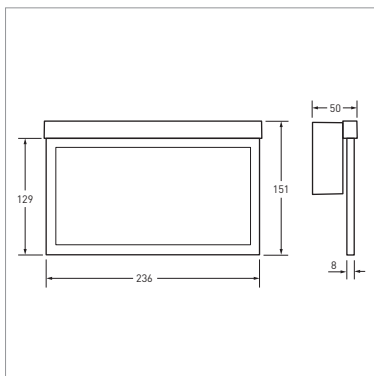
Material: Zinc die-cast. Colour: RAL 7016. Dimensions: 80 mm x 236 mm x 1709 mm. Mounting method: surface. Protection class: 2. Protection rating IP40. Allowed temperature EB3: -5 to 40 °C, CBU -25 to 40 °C. Viewing distance: 22 m. Pictogram: 4-piece set included.

## Product features and key data

Luminaire type	Emergency exit sign
Mounting method	Ceiling surface suspended
Luminaire colour	RAL 7016 Grey
Light sources	LED
Optic	-
Rated luminous flux	165 lm
Operation	Self contained, central battery
Emergency duration	3 hour [self contained]
Supply	Maintained / non-maintained
Power	4.7W self contained, 2.4W central battery
Testing	Charge indicator / key switch
Battery	4.8V/2.0Ah NiMH self contained
Ingress Protection (IP) rating	IP40
Protection class	II
Legend	ISO 7010 4-part pictogram kit included
Viewing distance	22m
Hot wire resistance	850 °C
Ambient temperature	-5 to +40 °C self contained, -25 to +40 °C central battery
Net depth	80 mm
Net width	236 mm
Net height	1709 mm
Weight	1.57 kg self contained, 1.42 kg central battery

## Order number

TK Number	Description
10239669	ESP Surface Suspended 3 hr Self Contained [EB3]
10239670	ESP Surface Suspended Central Battery [CBU]



## Offer text

Zinc die-cast edge luminaire according to DIN EN 60598-1, DIN EN 60598-2-22 and DIN EN 1838. Wall surface mounting. Mechanically robust and corrosion-resistant, powder-coated surface, precise edges and straight lines, no weld seam and bending edge, solvent free attachment of the pictogram, window pane with polished edges and continuous but invisible pictogram holder. Applicable for maintained or non-maintained operation mode. Toolless change and variable use of the pictograms provide planning security on site.

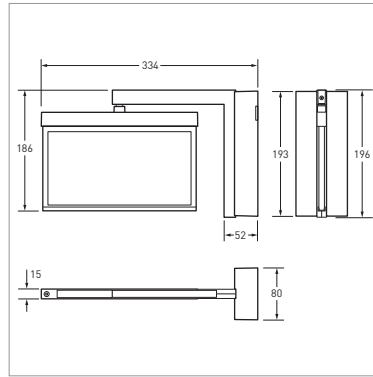
Material: Zinc die-cast. Colour: RAL 7016. Dimensions: 50 mm x 236 mm x 151 mm. Mounting method: surface. Protection class: 2. Protection rating IP40. Allowed temperature EB3: -5 to +40 °C, CBU -25 to +40 °C. Viewing distance: 22 m. Pictogram: 4-piece set included.

## Product features and key data

Luminaire type	Emergency exit sign
Mounting method	Wall surface
Luminaire colour	RAL 7016 Grey
Light sources	LED
Optic	-
Rated luminous flux	165 lm
Operation	Self contained, central battery
Emergency duration	3 hour (self contained)
Supply	Maintained / non-maintained
Power	4.7W self contained, 2.4W central battery
Testing	Charge indicator / key switch
Battery	4.8V/2.0Ah NiMH self contained
Ingress Protection (IP) rating	IP40
Protection class	II
Legend	ISO 7010 4-part pictogram kit included
Viewing distance	22m
Hot wire resistance	850 °C
Ambient temperature	-5 to +40 °C self contained, -25 to +40 °C central battery
Net depth	50 mm
Net width	236 mm
Net height	151 mm
Weight	1.37 kg self contained, 1.22 kg central battery

## Order number

TK Number	Description
10239671	ESP Wall 3 hr Self Contained (EB3)
10239672	ESP Wall Central Battery (CBU)



## Offer text

Zinc die-cast edge luminaire according to DIN EN60598-1, DIN EN 60598-2-22 and DIN EN 1838. Wall surface mounting. Mechanically robust and corrosion-resistant, powder-coated surface, precise edges and straight lines, no weld seam and bending edge, solvent free attachment of the pictogram, window pane with polished edges and continuous but invisible pictogram holder. Applicable for maintained or non-maintained operation mode. Toolless change and variable use of the pictograms provide planning security on site.

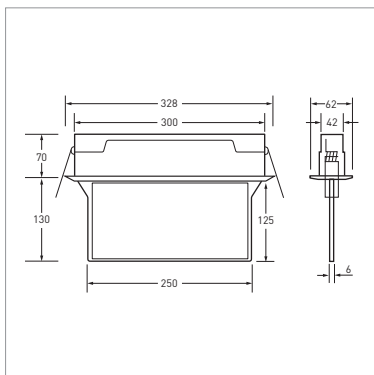
Material: Zinc die-cast. Colour: RAL 7016. Dimensions: 50 mm x 236 mm x 151 mm. Mounting method: surface. Protection class: 2. Protection rating IP40. Allowed temperature EB3: -5 to 40 °C, CBU -25 to 40 °C. Viewing distance: 22 m. Pictogram: 4-piece set included.

## Product features and key data

Luminaire type	Emergency exit sign
Mounting method	Wall surface
Luminaire colour	RAL 7016 Grey
Light sources	LED
Optic	-
Rated luminous flux	165 lm
Operation	Self contained, central battery
Emergency duration	3 hour [self contained]
Supply	Maintained / non-maintained
Power	4.7W self contained, 2.4W central battery
Testing	Charge indicator / key switch
Battery	4.8V/2.0Ah NiMH self contained
Ingress Protection (IP) rating	IP40
Protection class	II
Legend	ISO 7010 4-part pictogram kit included
Viewing distance	22m
Hot wire resistance	850 °C
Ambient temperature	-5 to +40 °C self contained, -25 to +40 °C central battery
Net depth	50 mm
Net width	236 mm
Net height	151 mm
Weight	1.60 kg self contained, 1.45 kg central battery

## Order number

TK Number	Description
10239673	ESP Wall Arm 3 hr Self Contained [EB3]
10239674	ESP Wall Arm Central Battery (CBU)



## Offer text

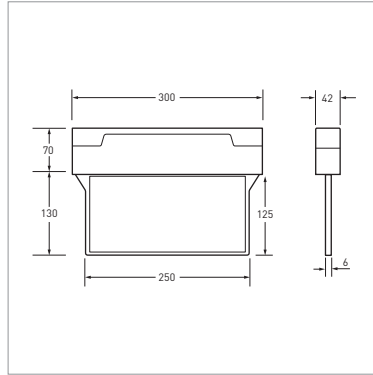
Ceiling recessed exit sign luminaire according EN 60598-2-22. Polycarbonate constructed body suitable for recessed installation, plexiglass screen printed legend fascia Applicable for maintained or non maintained operation mode. Available in switch test or DALI self test. Colour: White. Dimensions: 62 mm x 328 mm x 200 mm. Mounting method: recessed. Protection class: 2. Protection rating IP41. Allowed temperature 0 to 40°C. Viewing distance: 25m. Pictogram: included. Battery: LiFePO4

## Product features and key data

Luminaire type	Emergency exit sign double sided
Mounting method	Ceiling recessed
Luminaire colour	White
Light sources	LED
Optic	-
Rated luminous flux	-
Operation	Self contained
Emergency duration	3 hour
Supply	Maintained / non-maintained
Power	4.5W self contained, 5.4W self contained DALI
Testing	Charge indicator / key switch or DALI Self Test
Battery	6.4V 1.6Ah LiFePO4 Switch Test, 9.6V 1.5Ah LiFePO4 Cells DALI Self Test
Ingress Protection (IP) rating	IP41
Protection class	II
Legend	ISO 7010 pictogram included
Viewing distance	25m
Hot wire resistance	850 °C
Ambient temperature	0 to +40 °C
Net depth	62 mm
Net width	328 mm
Net height	200 mm
Weight	1.00 kg

## Order number

TK Number	Description
10239679	ESC Recessed Up Arrow EB3
10239680	ESC Recessed Down Arrow EB3
10239681	ESC Recessed Left/Right Arrow EB3
10239682	ESC Recessed Up Arrow EB3 DST
10239683	ESC Recessed Down Arrow EB3 DST
10239684	ESC Recessed Left/Right Arrow EB3 DST



### Offer text

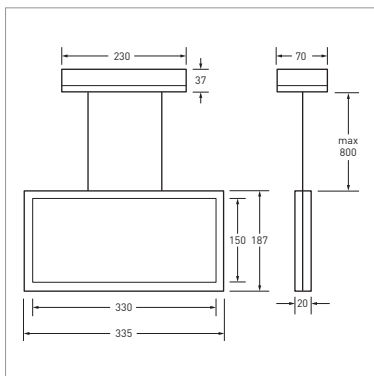
Ceiling recessed exit sign luminaire according EN 60598-2-22. Polycarbonate constructed body suitable for recessed installation, plexiglass screen printed legend fascia Applicable for maintained or non maintained operation mode. Available in switch test or DALI self test. Colour: White. Dimensions: 62 mm x 328 mm x 200 mm. Mounting method: surface. Protection class: 2. Protection rating IP41. Allowed temperature 0 to 40 °C. Viewing distance: 25m. Pictogram: included. Battery: LiFePO4

### Product features and key data

Luminaire type	Emergency exit sign double sided
Mounting method	Ceiling surface
Luminaire colour	White
Light sources	LED
Optic	-
Rated luminous flux	-
Operation	Self contained
Emergency duration	3 hour
Supply	Maintained / non-maintained
Power	4.5W self contained, 5.4W self contained DALI
Testing	Charge indicator / key switch or DALI Self Test
Battery	6.4V 1.6Ah LiFePO4 Switch Test, 9.6V 1.5Ah LiFePO4 Cells DALI Self Test
Ingress Protection (IP) rating	IP41
Protection class	II
Legend	ISO 7010 pictogram included
Viewing distance	25m
Hot wire resistance	850 °C
Ambient temperature	0 to +40 °C
Net depth	43 mm
Net width	299 mm
Net height	200 mm
Weight	1.00 kg

### Order number

TK Number	Description
10239685	ESC Surface Up Arrow EB3
10239686	ESC Surface Down Arrow EB3
10239687	ESC Surface Left/Right Arrow EB3
10239688	ESC Surface Up Arrow EB3 DST
10239689	ESC Surface Down Arrow EB3 DST
10239690	ESC Surface Left/Right Arrow EB3 DST



## Offer text

Ceiling surface suspended exit sign luminaire according EN 60598-2-22. Polycarbonate constructed body suitable for surface suspended installation, plexiglass screen printed legend fascia Applicable for maintained or non maintained operation mode. Available in switch test or DALI self test. Colour: White. Dimensions: 70 mm x 335 mm x 1024 mm. Mounting method: surface. Protection class: 2. Protection rating IP40. Allowed temperature 0 to 40 °C. Viewing distance: 30 m. Pictogram: 4-peice set included. Battery: LiFePO4

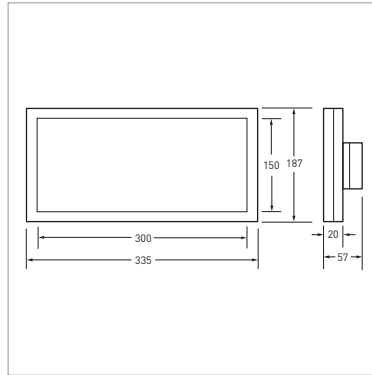
## Product features and key data

Luminaire type	Emergency exit sign single sided
Mounting method	Ceiling surface suspended
Luminaire colour	White
Light sources	LED
Optic	-
Rated luminous flux	-
Operation	Self contained
Emergency duration	3 hour
Supply	Maintained / non-maintained
Power	4.5W self contained, 5.4W self contained DALI
Testing	Charge indicator / key switch or DALI Self Test
Battery	6.4V 1.6Ah LiFePO4 Switch Test, 9.6V 1.5Ah LiFePO4 Cells DALI Self Test
Ingress Protection (IP) rating	IP40
Protection class	II
Legend	ISO 7010 4-part pictogram kit included (Arrow Up, Down, Right & Left)
Viewing distance	30m
Hot wire resistance	850 °C
Ambient temperature	0 to +40 °C
Net depth	70 mm
Net width	335 mm
Net height	1024 mm
Weight	1.45 kg

## Order number

TK Number	Description
10239677	ESC Suspended 3hr self contained (EB3)
10239678	ESC Suspended 3hr self contained (EB3) with DALI Self Test





## Offer text

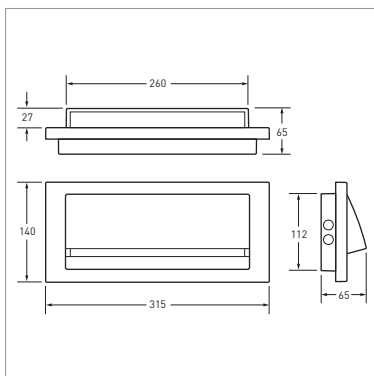
Wall mounted exit sign luminaire according EN 60598-2-22. Polycarbonate constructed body suitable for surface or semi recessing, plexiglass screen printed legend fascia Applicable for maintained or non maintained operation mode. Available in switch test or DALI self test. Colour: White. Dimensions: 57 mm x 335 mm x 187 mm. Mounting method: surface or semi recessed. Protection class: 2. Protection rating IP40. Allowed temperature 0 to 40 °C. Viewing distance: 30 m. Pictogram: 4-peice set included. Battery: LiFePO4

## Product features and key data

Luminaire type	Emergency exit sign
Mounting method	Wall surface
Luminaire colour	White
Light sources	LED
Optic	-
Rated luminous flux	-
Operation	Self contained
Emergency duration	3 hour
Supply	Maintained / non-maintained
Power	4.5W self contained, 5.4W self contained DALI
Testing	Charge indicator / key switch or DALI Self Test
Battery	6.4V 1.6Ah LiFePO4 Switch Test, 9.6V 1.5Ah LiFePO4 Cells DALI Self Test
Ingress Protection (IP) rating	IP40
Protection class	II
Legend	ISO 7010 4-part pictogram kit included (Arrow Up, Down, Right & Left)
Viewing distance	30m
Hot wire resistance	850 °C
Ambient temperature	0 to +40 °C
Net depth	57 mm
Net width	335 mm
Net height	187 mm
Weight	1.42 kg

## Order number

TK Number	Description
10239675	ESC Wall 3hr self contained (EB3)
10239676	ESC Wall 3hr self contained (EB3) with DALI Self Test



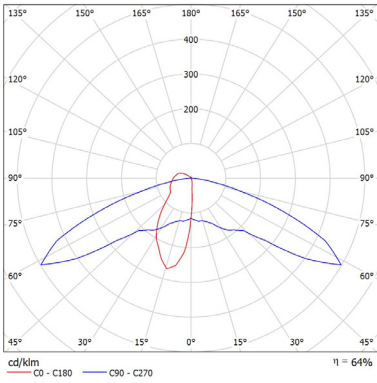
## Offer text

Robust wall-mounted zinc die cast luminaire for the lighting of escape and rescue routes in exit areas according to DIN EN 60598-1, DIN EN 60598-2-22 and EN 1838. Colour: RAL 9003/RAL 7016. Dimensions: 65 mm x 315 mm x 140 mm. Protection class: 1. Protection rating IP65. Impact resistance rate IK08. Allowed temperature -5 to 40 °C. Battery: 3.2V / 0.57Ah LiFePO4

## Product features and key data

Luminaire type	Emergency escape route
Mounting method	Wall recessed
Luminaire colour	RAL 9003 White, RAL 7016 Grey
Light sources	LED
Optic	-
Rated luminous flux	170 lm
Operation	Self contained
Emergency duration	3 hour
Supply	Maintained / non-maintained
Power	4.6W
Testing	Charge indicator / key switch
Battery	3.2V/0.57Ah LiFePO4
Ingress Protection (IP) rating	IP65
Protection class	I
Legend	-
Viewing distance	-
Hot wire resistance	850 °C
Ambient temperature	-5 to +40 °C
Net depth	65 mm
Net width	315 mm
Net height	140 mm
Weight	2.04 kg

# ERP WALL RECESSED ROUTE



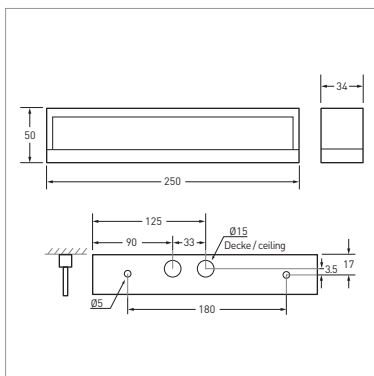
## Spacing table

Mounting Height (m)					
2.00	2.30	4.61	8.34	7.66	0.00
2.50	2.48	4.97	9.18	7.91	0.00
3.00	2.61	5.24	9.93	7.97	0.00
3.50	2.69	5.38	10.50	8.17	0.00
4.00	2.70	5.40	8.63	8.31	0.00

The distance table is based on the following parameters: Maintenance factor: 0.8; emergency lighting factor 1.00; Minimum illumination on the center line: 1.00 lux; Minimum illumination on the half width of the rescue route: 0.50 lux, uniformity on the midline maximum 40.1; Width of the rescue route 2.00m

## Order number

TK Number	Description
10239718	ERP Wall Recessed 3hr self contained (EB3) White
10239719	ERP Wall Recessed 3hr self contained (EB3) Grey



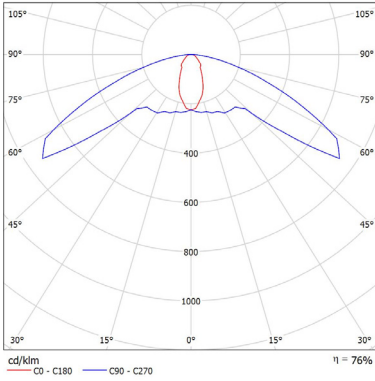
## Offer text

Linear surface ceiling mounted polycarbonate luminaire for the lighting of escape and rescue routes in exit areas according to DIN EN 60598-1, DIN EN 60598-2-22 and EN 1838. Colour: RAL 9003. Dimensions: 34 mm x 250 mm x 50 mm. Protection class: 2. Protection rating IP54. Allowed temperature -5 to 40 °C. Battery: 3.2V / 3.3 Ah LiFePO4

## Product features and key data

Luminaire type	Emergency escape route
Mounting method	Ceiling surface
Luminaire colour	RAL 9003 White
Light sources	LED
Optic	-
Rated luminous flux	170 lm
Operation	Self contained
Emergency duration	3 hour
Supply	Maintained / non-maintained
Power	4.6W
Testing	Charge indicator / key switch
Battery	3.2V/3.3 Ah LiFePO4
Ingress Protection (IP) rating	IP54
Protection class	II
Legend	-
Viewing distance	-
Hot wire resistance	850 °C
Ambient temperature	-5 to +40 °C
Net depth	34 mm
Net width	250 mm
Net height	50 mm
Weight	0.58 kg

# ERP SURFACE LINEAR ROUTE



Glare Evaluation According to UGR													
μ Ceiling		70	70	50	50	30	70	70	50	50	30	30	
μ Walls		50	20	50	20	20	50	20	50	20	20	20	
μ Floor		20	20	20	20	20	20	20	20	20	20	20	
Room Size		Viewing direction at right angles to lamp axis						Viewing direction parallel to lamp axis					
X	Y												
2H	2H	6.6	8.1	6.9	8.3	8.6	25.6	27.1	25.9	27.4	27.6		
	3H	8.1	9.5	8.4	9.7	10.0	27.8	29.2	28.2	29.5	29.7		
	4H	8.7	10.0	9.1	10.3	10.6	28.4	29.7	28.7	30.0	30.3		
	6H	9.2	10.4	9.5	10.7	11.0	28.7	29.9	29.1	30.2	30.5		
4H	2H	9.3	10.5	9.7	10.8	11.1	28.8	29.9	29.2	30.3	30.6		
	3H	9.4	10.5	9.8	10.8	11.2	28.8	29.9	29.2	30.2	30.6		
	4H	9.1	9.4	8.5	9.7	10.0	25.3	26.6	25.7	26.9	27.2		
	6H	9.6	10.7	10.0	11.1	11.4	27.6	28.7	28.0	29.1	29.4		
8H	2H	10.3	11.3	10.7	11.6	12.0	28.3	29.3	28.7	29.6	30.0		
	3H	10.8	11.7	11.2	12.0	12.4	28.7	29.6	29.2	30.0	30.4		
	4H	11.0	11.8	11.4	12.2	12.6	28.9	29.7	29.3	30.1	30.5		
	6H	11.1	11.8	11.5	12.2	12.7	28.9	29.7	29.4	30.1	30.5		
12H	2H	11.1	11.8	11.5	12.2	12.7	28.9	29.7	29.4	30.1	30.5		
	3H	11.1	11.8	11.5	12.2	12.7	28.9	29.7	29.4	30.1	30.5		
	4H	11.1	11.8	11.5	12.2	12.7	28.9	29.7	29.4	30.1	30.5		
	6H	11.1	11.8	11.5	12.2	12.7	28.9	29.7	29.4	30.1	30.5		
12H	2H	11.1	11.8	11.5	12.2	12.7	28.9	29.7	29.4	30.1	30.5		
	3H	11.1	11.8	11.5	12.2	12.7	28.9	29.7	29.4	30.1	30.5		
	4H	11.1	11.8	11.5	12.2	12.7	28.9	29.7	29.4	30.1	30.5		
	6H	11.1	11.8	11.5	12.2	12.7	28.9	29.7	29.4	30.1	30.5		
Variation of the observer position for the luminare distances S													
S = 1.0H		+1.0	-1.2		+0.2	-0.3							
S = 1.5H		+2.3	-2.2		+1.3	-1.2							
S = 2.0H		+2.7	-3.1		+2.5	-2.4							
Standard table		---	---		---	---							
Correction		---	---		---	---							
Summand		---	---		---	---							
Corrected Glare Indices referring to 170lm Total Luminous Flux													

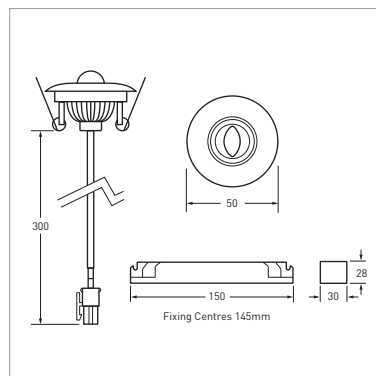
## Spacing table

Mounting Height (m)						
2.00	1.74	4.59	7.81	11.12	4.71	
2.50	1.62	4.97	8.71	12.56	5.13	
3.00	1.66	4.96	9.40	13.82	5.64	
3.50	1.63	4.75	9.79	14.95	6.06	
4.00	1.62	4.85	10.32	15.98	6.40	

The distance table is based on the following parameters: Maintenance factor: 0.8; emergency lighting factor 1.00; Minimum illumination on the center line: 1.00 lux; Minimum illumination on the half width of the rescue route: 0.50 lux, uniformity on the midline maximum 40.1; Width of the rescue route 2.00m

## Order number

TK Number	Description
10239720	ERP Surface Linear Route 3hr self contained (EB3)
10239721	ERP Linear Route Recessing Kit



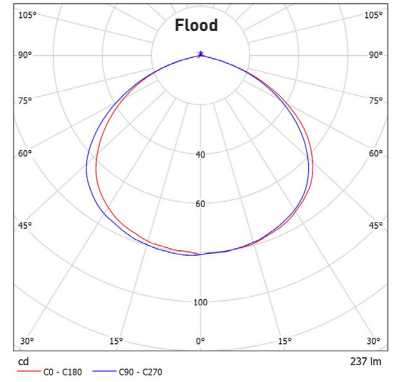
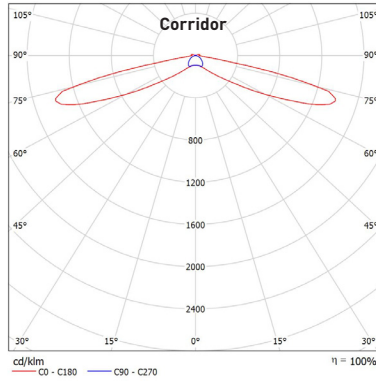
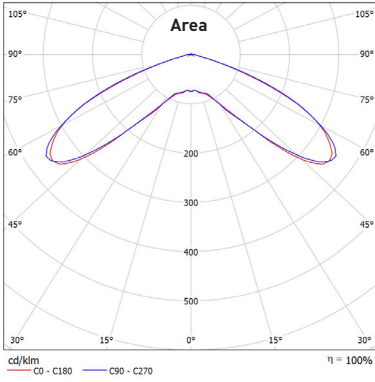
## Offer text

Ceiling recessed escape route luminaire according EN 60598-2-22. Polycarbonate constructed body suitable for recessed installation. Applicable for non maintained operation mode. Available in switch test or DALI self test with halo status feature. Colour: RAL 9016 White, RAL 9005 Black. Dimensions: 50 mm dia x 45 mm depth, Mounting method: recessed. Protection class: 2. Protection rating IP54 from room side. Allowed temperature 0 to 40 °C. Battery: LiFePO4

## Product features and key data

Luminaire type	Emergency escape route
Mounting method	Ceiling recessed
Luminaire colour	RAL 9016 White, RAL 9005 Black
Light sources	LED
Optic	Area, Corridor, Flood
Rated luminous flux @ 550mA	225lm Area, 232lm Corridor, 186lm Flood
Rated luminous flux @ 700mA	267lm Area, 226lm Corridor, 237lm Flood
Operation	Self contained
Emergency duration	3 hour
Supply	Non-maintained
Power	1.9W
Testing	Charge indicator / key switch or DALI Self Test
Battery	3.2V 3.8Ah LiFePO4
Ingress Protection (IP) rating	IP54 LED, IP20 Battery & Driver
Protection class	II
Legend	-
Viewing distance	-
Hot wire resistance	850 °C
Ambient temperature	-5 to +40 °C
Net depth	-
Net width	50 mm overall, 43mm dia cut-out
Net height	45 mm - 188mm void depth with 43mm dia cut-out
Weight	0.28 kg

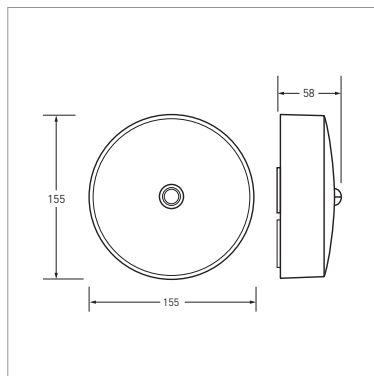
# ERP RECESSED



## Order number

TK Number	Description
<b>Battery / Driver</b>	
10239691	ERP Recessed Batt/Driver 550 EB3
10239692	ERP Recessed Batt/Driver 700 EB3
10239693	ERP Recessed Batt/Driver 700 EB3 ST
10239694	ERP Recessed Batt/Driver 550 EB3 DST
10239695	ERP Recessed Batt/Driver 700 EB3 DST
<b>LED</b>	
10239696	ERP Recessed Area White
10239697	ERP Recessed Corridor White
10239698	ERP Recessed Flood White
10239699	ERP Recessed Area Black
10239700	ERP Recessed Corridor Black

LED and Battery/Driver to be ordered separately.



## Offer text

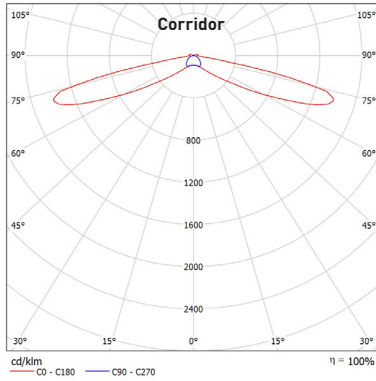
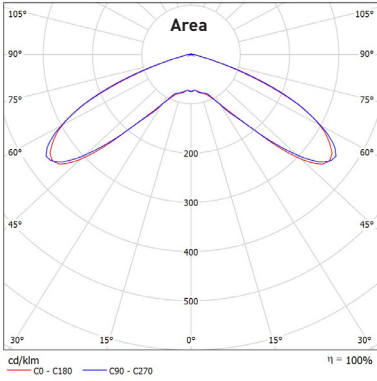
Ceiling surface escape route luminaire according EN 60598-2-22. Round polycarbonate constructed body suitable for surface installation. Applicable for non maintained operation mode. Available in switch test or DALI self test with halo status feature. Colour: RAL 9016 White, RAL 9005 Black. Dimensions: 155 mm dia x 58 mm depth, Mounting method: surface. Protection class: 2. Protection rating IP20. Allowed temperature 0 to 40 °C. Battery: LiFePO4

## Product features and key data

Luminaire type	Emergency escape route
Mounting method	Ceiling surface
Luminaire colour	RAL 9016 White, RAL 9005 Black
Light sources	LED
Optic	Area, Corridor, Flood
Rated luminous flux @ 550mA	225lm Area, 232lm Corridor, 186lm Flood
Operation	Self contained
Emergency duration	3 hour
Supply	Non-maintained
Power	1.9W
Testing	Charge indicator / key switch or DALI Self Test
Battery	3.2V 3.8Ah LiFePO4
Ingress Protection (IP) rating	IP20
Protection class	II
Legend	-
Viewing distance	-
Hot wire resistance	850 °C
Ambient temperature	0 to +40 °C
Net depth	-
Net width	155 mm
Net height	58 mm
Weight	0.39kg

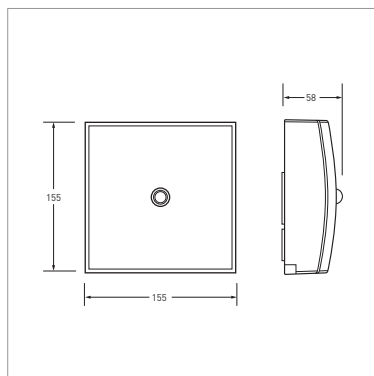
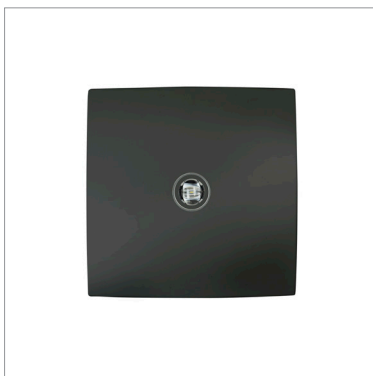


# ERP SURFACE ROUND



## Order number

TK Number	Description
<b>White</b>	
10239702	ERP Surface Round Area White EB3
10239703	ERP Surface Round Corridor White EB3
10239704	ERP Surface Round Area White EB3 DST
10239705	ERP Surface Round Corridor White EB3 DST
<b>Black</b>	
10239706	ERP Surface Round Area Black EB3
10239707	ERP Surface Round Corridor Black EB3
10239708	ERP Surface Round Area Black EB3 DST
10239709	ERP Surface Round Corridor Black EB3 DST



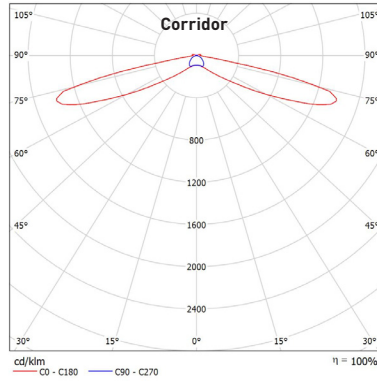
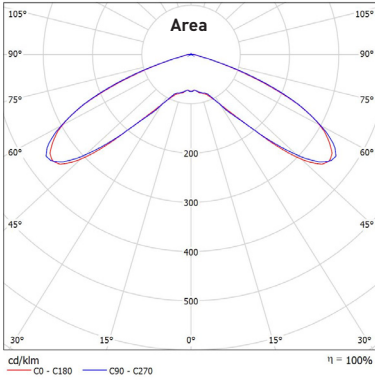
## Offer text

Ceiling surface escape route luminaire according EN 60598-2-22. Square polycarbonate constructed body suitable for surface installation. Applicable for non maintained operation mode. Available in switch test or DALI self test with halo status feature. Colour: RAL 9016 White, RAL 9005 Black. Dimensions: 155 mm square x 58 mm depth, Mounting method: surface. Protection class: 2. Protection rating IP20. Allowed temperature 0 to 40 °C. Battery: LiFePO4

## Product features and key data

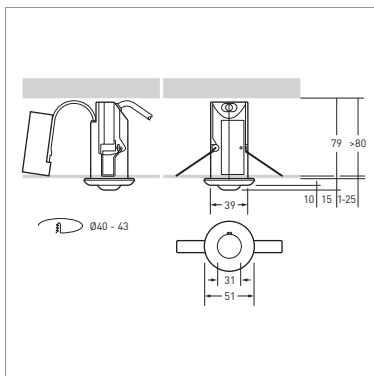
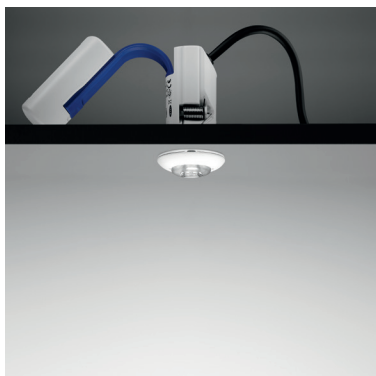
Luminaire type	Emergency escape route
Mounting method	Ceiling surface
Luminaire colour	RAL 9016 White, RAL 9005 Black
Light sources	LED
Optic	Area, Corridor, Flood
Rated luminous flux @ 550mA	225lm Area, 232lm Corridor, 186lm Flood
Operation	Self contained
Emergency duration	3 hour
Supply	Non-maintained
Power	1.9W
Testing	Charge indicator / key switch or DALI Self Test
Battery	3.2V 3.8Ah LiFePO4
Ingress Protection (IP) rating	IP20
Protection class	II
Legend	-
Viewing distance	-
Hot wire resistance	850 °C
Ambient temperature	0 to +40 °C
Net depth	155 mm
Net width	155 mm
Net height	58 mm
Weight	0.39kg

# ERP SURFACE SQUARE



## Order number

TK Number	Description
<b>White</b>	
10239710	ERP Surface Square Area White EB3
10239711	ERP Surface Square Corridor White EB3
10239712	ERP Surface Square Area White EB3 DST
10239713	ERP Surface Square Corridor White EB3 DST
<b>Black</b>	
10239714	ERP Surface Square Area Black EB3
10239715	ERP Surface Square Corridor Black EB3
10239716	ERP Surface Square Area Black EB3 DST
10239717	ERP Surface Square Corridor Black EB3 DST



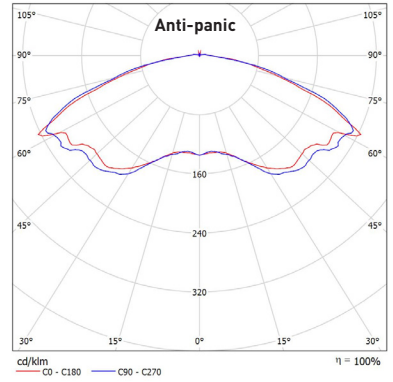
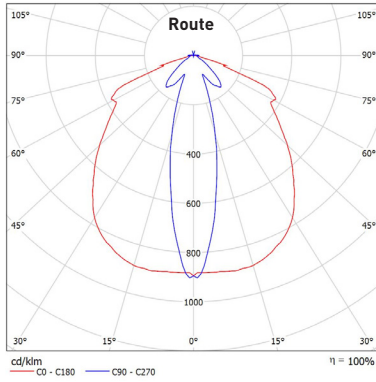
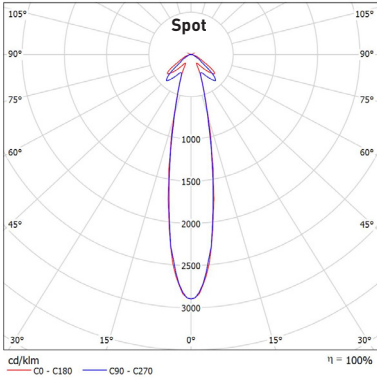
## Offer text

Ceiling recessed escape route luminaire according EN 60598-2-22. Polycarbonate constructed body suitable for recessed installation. Supplied complete with multilens optic. Applicable for non maintained operation mode. Available in switch test, standard self test or DALI self test. Colour: White. Dimensions: 51 mm dia x 80 mm depth, Mounting method: recessed. Protection class: 2. Protection rating IP20. Allowed temperature 0 to +40 °C. Battery: LiFePO4

## Product features and key data

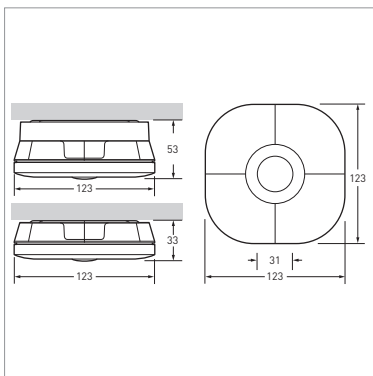
Luminaire type	Emergency escape route
Mounting method	Ceiling recessed
Luminaire colour	White
Light sources	LED
Optic	Multi lens Spot, Route & Antipanic included
Rated luminous flux	132lm
Operation	Self contained
Emergency duration	3 hour
Supply	Non-maintained
Power	2.0W
Testing	Charge indicator / key switch or DALI Self Test
Battery	3.0Ah LiFePO4, supplied complete
Ingress Protection (IP) rating	IP20
Protection class	II
Legend	-
Viewing distance	-
Hot wire resistance	850 °C
Ambient temperature	0 to +40 °C
Net depth	-
Net width	51 mm overall dia , 40-43mm dia cut-out
Net height	80 mm
Weight	0.22 kg

# ERC RECESSED



## Order number

TK Number	Description
<b>LED</b>	
10239722	ERC Recessed EB3
10239723	ERC Recessed EB3 ST
10239724	ERC Recessed EB3 DST



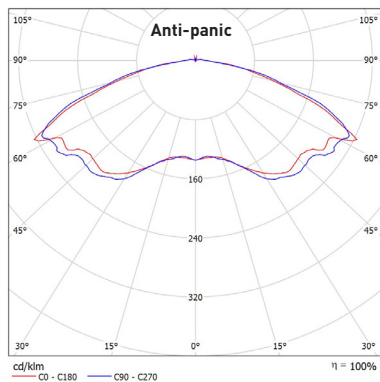
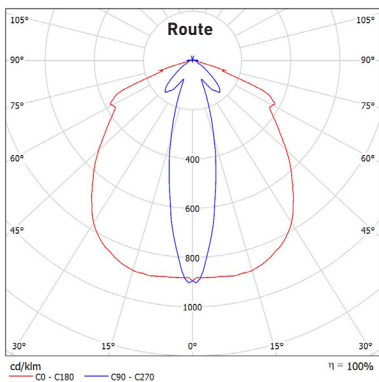
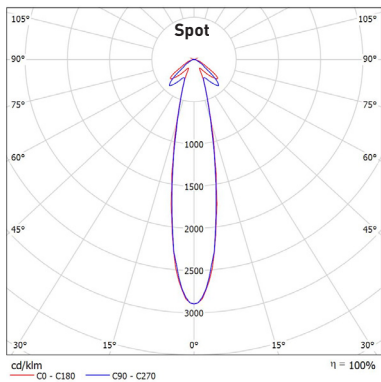
## Offer text

Ceiling surface escape route luminaire according EN 60598-2-22. Polycarbonate constructed body suitable for recessed installation. Supplier complete with multilens optic. Applicable for non maintained operation mode. Available in switch test, standard self test or DALI self test. Colour: White. Dimensions: 123 mm dia x 123 mm x 33 mm, Mounting method: surface. Protection class: 2. Protection rating IP20. Allowed temperature +0 to +40 °C. Battery: LiFePO4

## Product features and key data

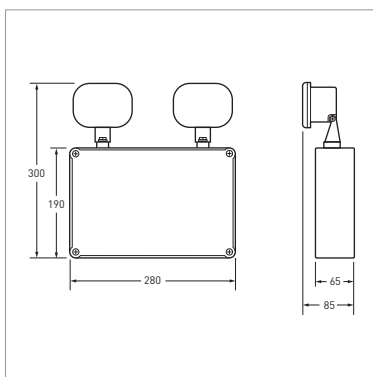
Luminaire type	Emergency escape route
Mounting method	Ceiling surface
Luminaire colour	White
Light sources	LED
Optic	Multi lens Spot, Route & Antipanic included
Rated luminous flux	132lm
Operation	Self contained
Emergency duration	3 hour
Supply	Non-maintained
Power	2.0W
Testing	Charge indicator / key switch or DALI Self Test
Battery	3.0Ah LiFePO4, supplied complete
Ingress Protection (IP) rating	IP20
Protection class	II
Legend	-
Viewing distance	-
Hot wire resistance	850 °C
Ambient temperature	+5 to +40 °C
Net depth	123 mm
Net width	123 mm
Net height	33 mm
Weight	0.30 kg

# ERC SURFACE



## Order number

TK Number	Description
<b>LED</b>	
10239725	ERC Surface EB3
10239726	ERC Surface EB3 ST
10239727	ERC Surface EB3 DST



## Offer text

Twin adjustable head emergency luminaire according EN 60598-2-22. Polycarbonate constructed body suitable for surface installation. Applicable for non maintained operation mode. Available in switch test or DALI self test . Colour: White. Dimensions: 280 mm x 300 mm x 85 mm, Mounting method: surface. Protection class: i. Protection rating IP65. Allowed temperature 0 to 35 °C. Battery: LiFePO4

## Product features and key data

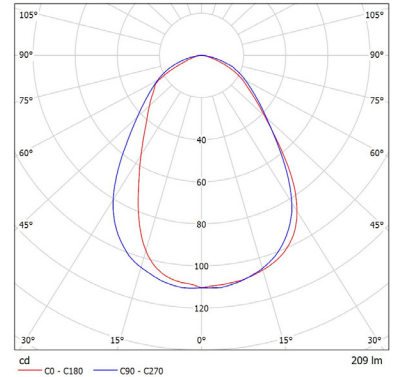
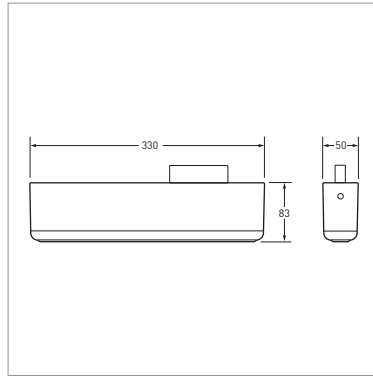
Luminaire type	Emergency twin head
Mounting method	Surface
Luminaire colour	White
Light sources	LED
Optic	-
Rated luminous flux	610 lm
Operation	Self contained
Emergency duration	3 hour
Supply	Non-maintained
Power	6.0W
Testing	Charge indicator / key switch or DALI Self Test
Battery	6.4V 3.8Ah LiFePO4
Ingress Protection (IP) rating	IP65
Protection class	I
Legend	-
Viewing distance	-
Hot wire resistance	850 °C
Ambient temperature	0 to +35 °C
Net depth	280 mm
Net width	85 mm
Net height	300 mm
Weight	2.00 kg

## Order number

TK Number	Description
10239728	EHC Twin Head 610 EB3
10239729	EHC Twin Head 610 EB3 DST



# ETP TRACK MOUNTED



## Offer text

Track mounted escape route luminaire according EN 60598-2-22. Polycarbonate constructed body suitable for track installation. Applicable for non maintained operation mode. Available in switch test or DALI self test. Colour: RAL 9016 White, RAL 9005 Black. Dimensions: 50 mm x 330 mm x 83 mm, Mounting method: track. Protection class: 2. Protection rating IP20. Allowed temperature 0 to +25 °C. Battery: LiFePO4

## Product features and key data

Luminaire type	Emergency escape route
Mounting method	Suitable for Global, Eutrac & Stucchi track systems (Track adaptor to be free issued)
Luminaire colour	RAL 9016 White, RAL 9005 Black
Light sources	LED
Optic	-
Rated luminous flux	209 lm
Operation	Self contained
Emergency duration	3 hour
Supply	Non-maintained
Power	2.0W
Testing	Charge indicator / key switch or DALI Self Test
Battery	3.2V 3.8Ah LiFePO4
Ingress Protection (IP) rating	IP20
Protection class	II
Legend	-
Viewing distance	-
Hot wire resistance	850 °C
Ambient temperature	0 to +25 °C
Net depth	50 mm
Net width	330 mm
Net height	83 mm
Weight	0.40 kg

## Order number

TK Number	Description
<b>White</b>	
10239730	ETP Track Mount EB3 White
10239731	ETP Track Mount EB3 DST White
<b>Black</b>	
10239732	ETP Track Mount EB3 Black
10239733	ETP Track Mount EB3 DST Black

**TRILUX GmbH & Co. KG**

Heidestraße · D-59759 Arnsberg  
Postfach 19 60 · D-59753 Arnsberg  
Tel. +49 29 32.3 01-0  
Fax +49 29 32.3 01-3 75  
sales@trilux.com  
www.trilux.com

**TRILUX Vertrieb GmbH**

Key Account Management  
Heidestraße 4 · D-59759 Arnsberg  
Tel. +49 29 32.3 01-44 96  
Fax +49 29 32.3 01-49 70  
kam@trilux.com  
www.trilux.com

**TRILUX LIGHTING LIMITED**

TRILUX HOUSE, Winsford Way  
Boreham Interchange  
Chelmsford, Essex  
CM2 5PD  
Tel. +44 12 45.46 34 63  
Fax +44 12 45.46 26 46  
info.co.uk@trilux.com  
www.trilux.com

All technical data including dimensional and weight specifications have been checked carefully. Errors excepted. Possible colour deviations are due to printing processes. We reserve the right to modify in the interest of progress. Luminaires are partly shown with accessories that must be ordered separately. Images of installations may show custom manufactured luminaires. Printed on PEFC-certified paper in an environmentally friendly way.

